

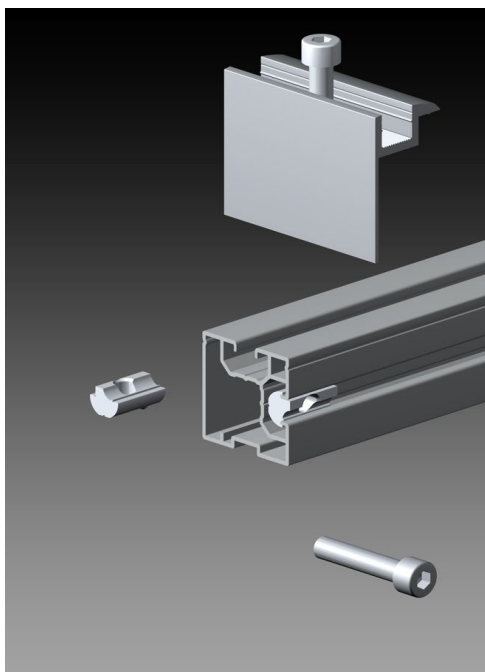
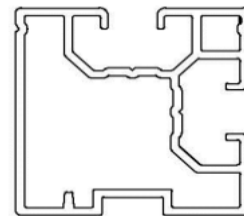
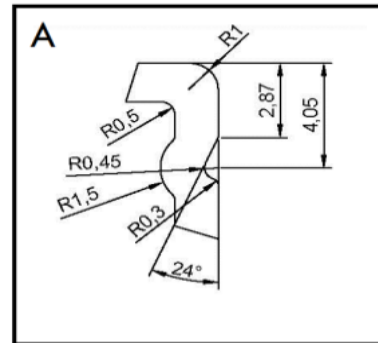
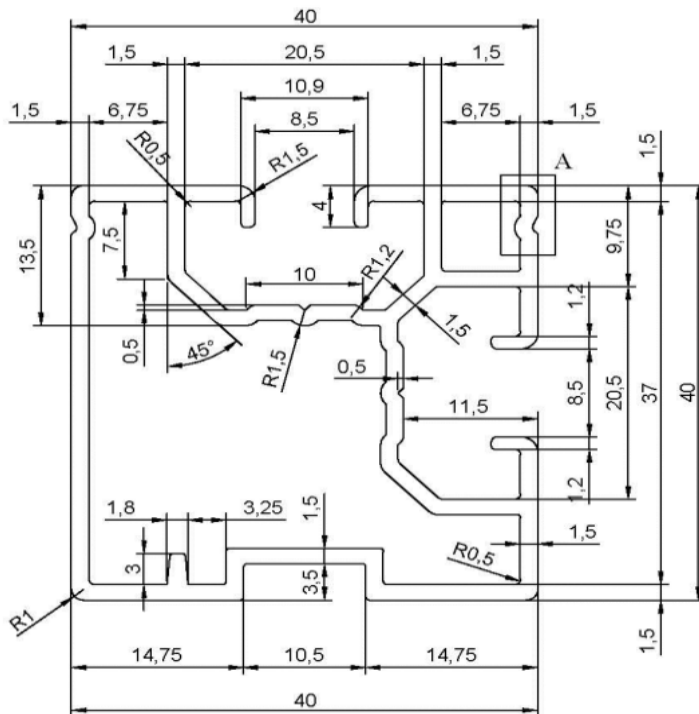


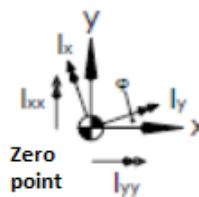
Art. 9664 W15

Profilo Solar per tassello scorrevole M 8, montaggio laterale, sezione mm. 40x40, Alluminio
 Solar mounting rail for slot nut M 8, lateral mounting, section mm. 40x40, Aluminum

Codice Articolo Item Number	L Profilo (mm) L mounting rail (mm)	 Box	 Pallet
96644004015	6400	5	100
96640030515	3200	5	100



m'	0.804 kg/m
l _{xx}	56955 mm ⁴
l _{xy}	582 mm ⁴
l _{yy}	56137 mm ⁴
l _{yx}	582 mm ⁴
l _x	57258 mm ⁴
l _y	55834 mm ⁴
φ	27.5 Grad
W _p	113093 mm ⁴
A	297.6 mm ²
S _x /S _y	21.5 mm / 21.2 mm



Coordinates of the centre of gravity
 S_x/S_y referred to zero point

last edit 27/04/2022

DRAWING N. 1177